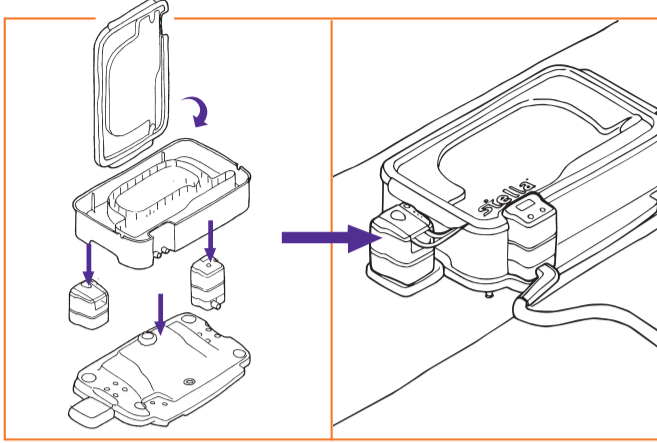


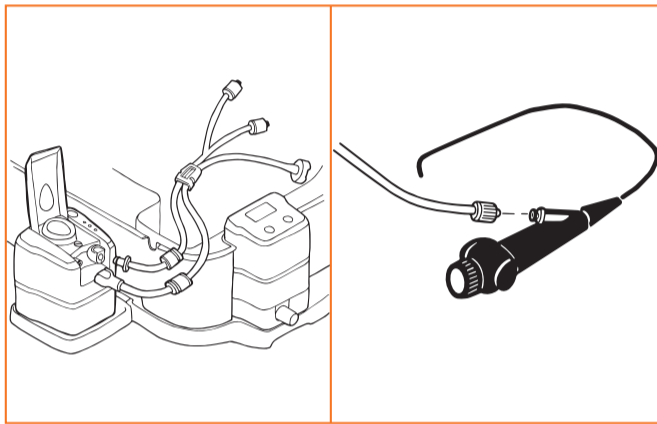
# stella™ with Pulse & Cleaning System

## Cleaning with Tristel Clean for Stella



### Step 1

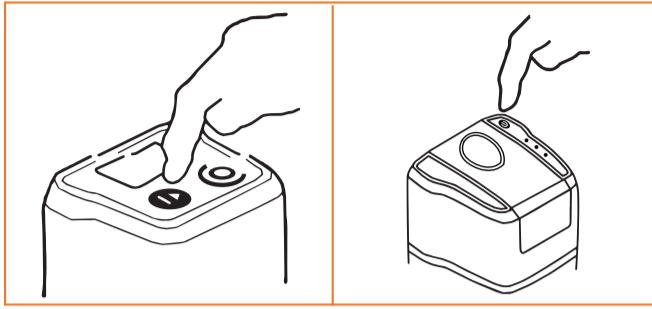
Assemble the Stella with Pulse System on a level surface using Stella cradle and place it either close to a sink or near water drainage.



### Step 4

Connect the tube set to Pulse then connect the luer lock to the instrument channel. Place the tube mount on the tray cut out so the pick-up/ filter is placed in the inner compartment.

**Note:** Any cables and parts of the instrument that cannot be submerged, should exit Stella through the designated cut-outs in the side walls of the Base; otherwise leave the rubber grommets in place.

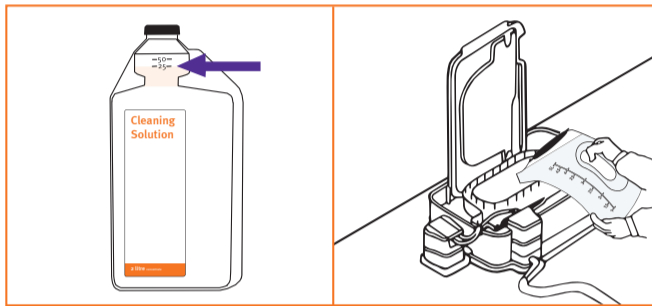


### STELLA IQ ICONS



### Step 2

Push the 'ON' button on the Stella IQ and Stella Pulse, until you hear a sound. A Bluetooth connection will automatically occur. Follow the instructions on the Stella IQ.



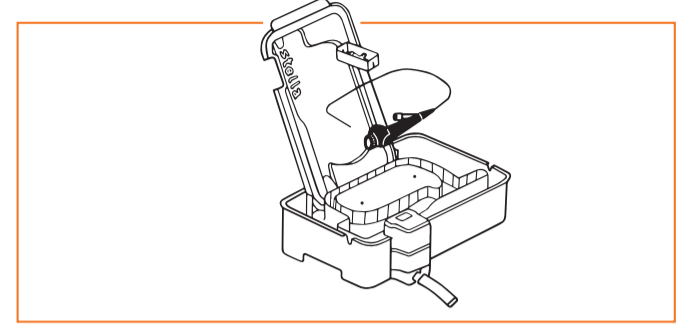
### STELLA IQ ICONS



### Step 5

Dilute 25ml of Tristel Clean for Stella into five litres of ambient water and pour into the inner compartment of the Stella Base.

**Note:** Do not use hot water.

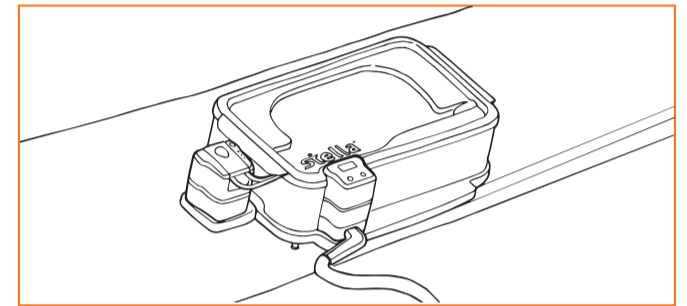


### STELLA IQ ICONS



### Step 3

Add the pre-cleaned instrument and small parts tray into the inner instrument compartment of the Base.



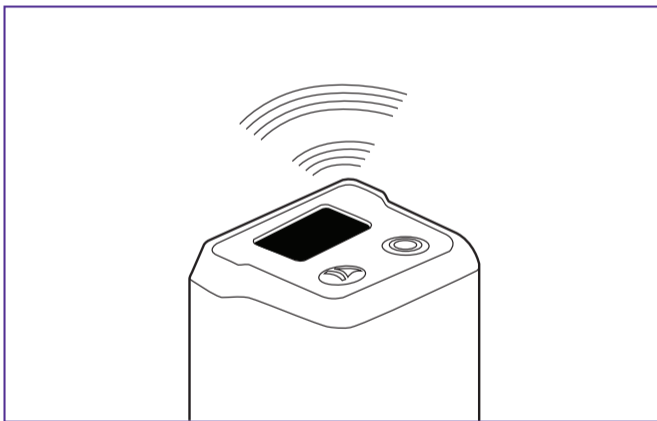
### STELLA IQ ICONS



### Step 6

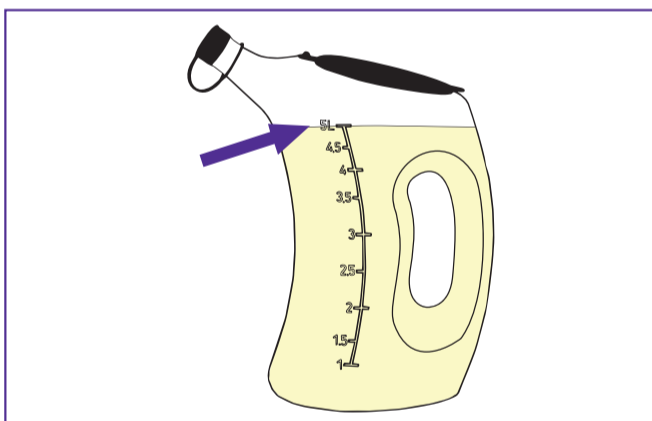
Fit the lid onto the Stella Base. The IQ displays the countdown of the Tristel Clean for Stella contact time. Upon the completion of the cleaning cycle Stella automatically drains the solution from the Base.

## High-level disinfection with Tristel Fuse for Stella



### Step 7

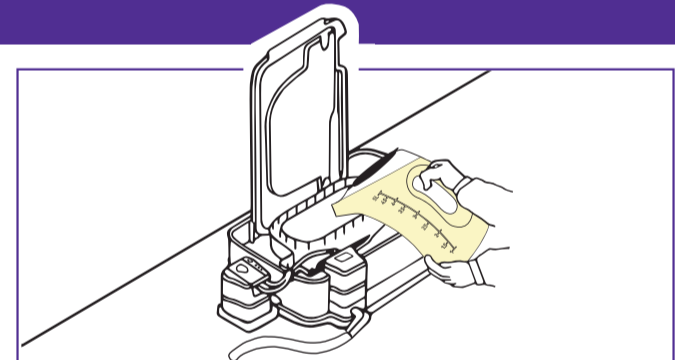
When Stella is empty and ready for the disinfection cycle an audible reminder will sound.



### Step 8

Make up five litres of Tristel Fuse for Stella disinfectant using ambient water. Read the user guide carefully.

**Note:** Do not use hot water.



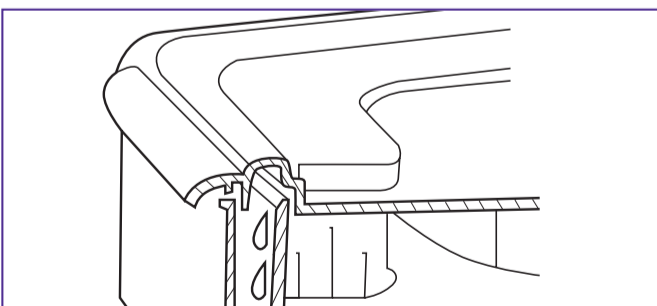
### STELLA SCREEN ICONS



### Step 9

Pour the Tristel Fuse for Stella into the inner instrument compartment until the liquid overflows. Ensure you use all five litres of disinfectant. A beep confirms the start of the five-minute cycle.

**Note:** If Tristel Fuse for Stella is not added to Stella within 10 minutes, the cycle will be automatically aborted by Stella IQ.



### STELLA IQ ICONS



### Step 10

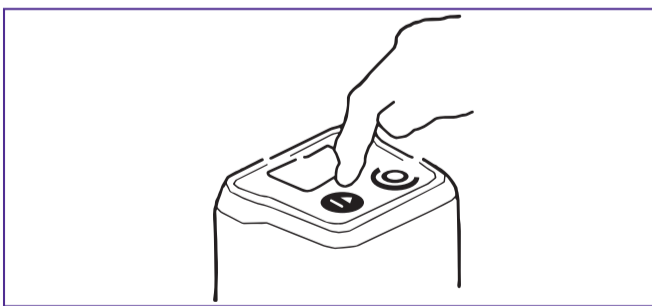
Place the Lid onto the Base. This will force liquid to flow over the side walls of the instrument compartment and create a complete seal. The Stella IQ displays the disinfecting segment automatically counting down five minutes. Stella IQ directs Stella Pulse to pump disinfectant through the channel of the instrument for one minute. Upon the completion of the disinfection cycle Stella automatically drains the solution from the Base.

**Tristel**

**Created by:** Tristel Solutions Limited, Lynx Business Park, Cambs, UK, CB8 7NY  
T +44 (0) 1638 721500 · E mail@tristel.com · W www.tristel.com

**Hong Kong & Taiwan:** Tristel Asia Limited, 21st Floor, 168 Electric Road, Fortress Hill, Hong Kong  
T +852 2895 6968 · F +852 2869 4388 · E customerservicehk@tristel.com

For Tristel patent information please visit: <http://www.our-patents.info/tristel>

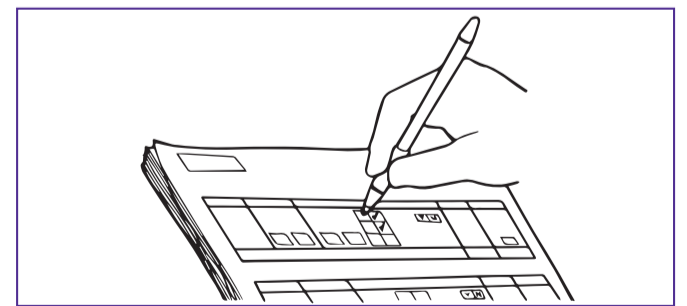


### STELLA IQ ICONS



### Step 11

Press the OK button to confirm removal of the instrument and to acknowledge that the cycle is complete.



### STELLA IQ ICONS



### Step 12

Record the validation code in the Patient's Notes or the Stella Quality Audit Trail Record Book. Stella IQ will store all information ready for download to your computer. A new cycle can immediately be started by pressing the OK button again. To turn off, press the OFF button on Stella IQ.

**Australian sponsor:** Tristel Pty Ltd, 40/328 Reserve Road, Cheltenham, VIC 3192  
T 1300 680 898 · F +61 (0)3 9533 6193 · E mail-au@tristel.com

**New Zealand:** Tristel New Zealand Limited, 23 Birch Avenue, Judea, Tauranga  
T +64 (0)7 5771560 · F +64 (0)7 5771567 · E mail-nz@tristel.com

**Malaysia:** Tristel Malaysia Sdn. Bhd, A-25-3A Pinnacle PJ, Lorong Utara C, 46200 Petaling Jaya, Selangor Darul Ehsan, Malaysia  
T +603 79317791 · F +603 79319971 · E mail-my@tristel.com

**Singapore:** Tristel Pte Ltd, 2 Venture Drive, Vision Exchange #14-04, Singapore 608526  
T +65 6518 9918 · E mail-sg@tristel.com