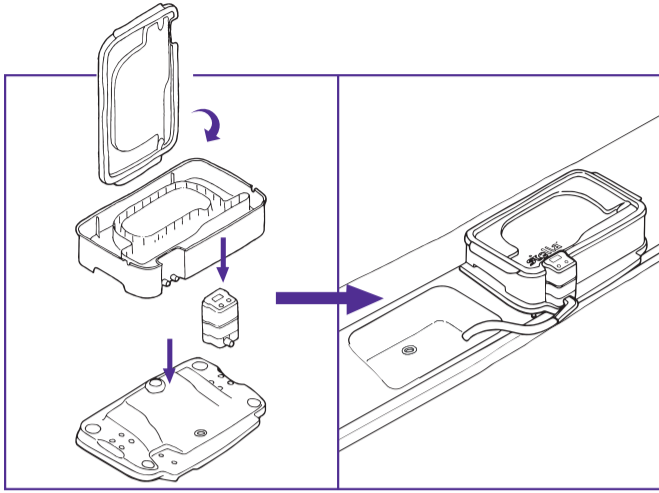
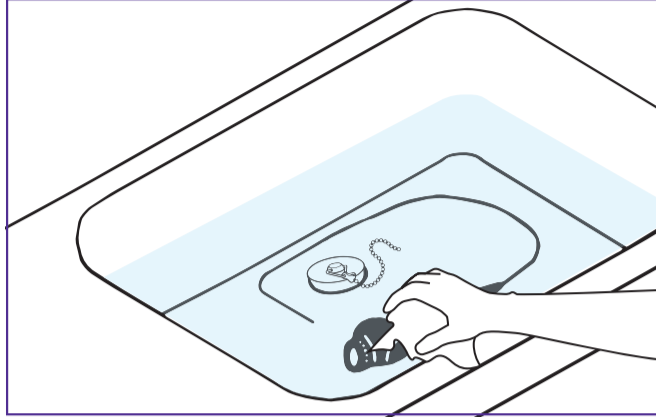


## High-level disinfection with Tristel Fuse for Stella



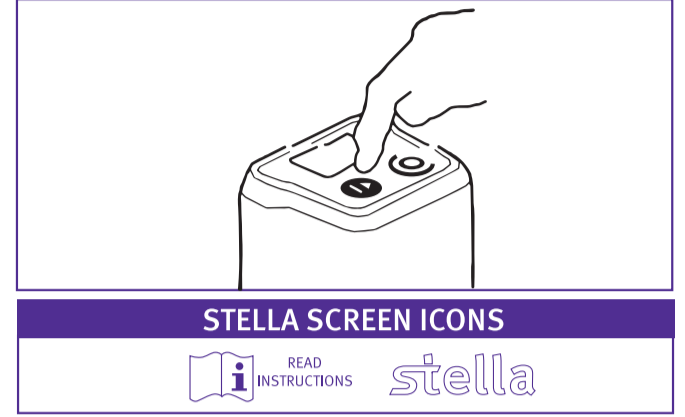
### Step 1

Assemble Stella on a level surface using Stella cradle, close to a sink.



### Step 2

Pre-clean instruments and devices thoroughly.

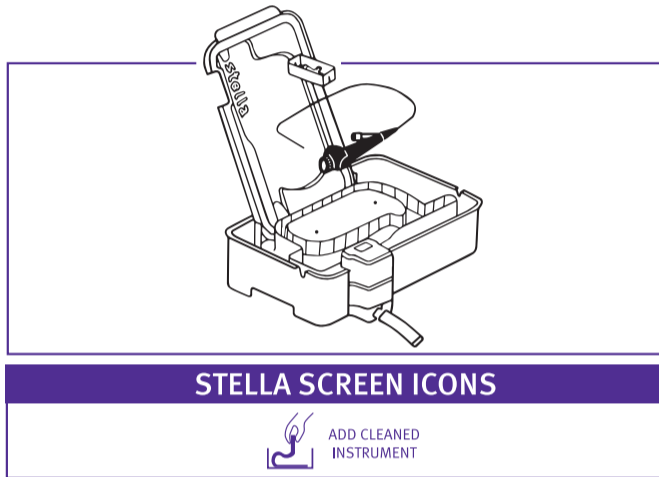


### STELLA SCREEN ICONS



### Step 3

Push the 'ON' button on the Stella IQ, until you hear a sound. Follow the instructions on the Stella IQ.

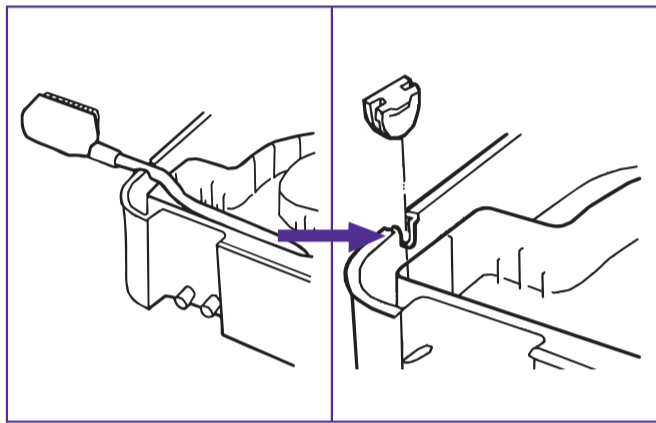


### STELLA SCREEN ICONS



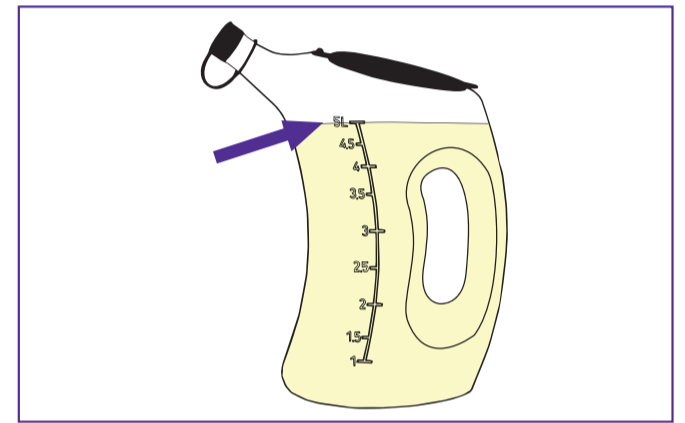
### Step 4

Add the pre-cleaned instrument and small parts tray into the inner instrument compartment of the Base.



### Step 5

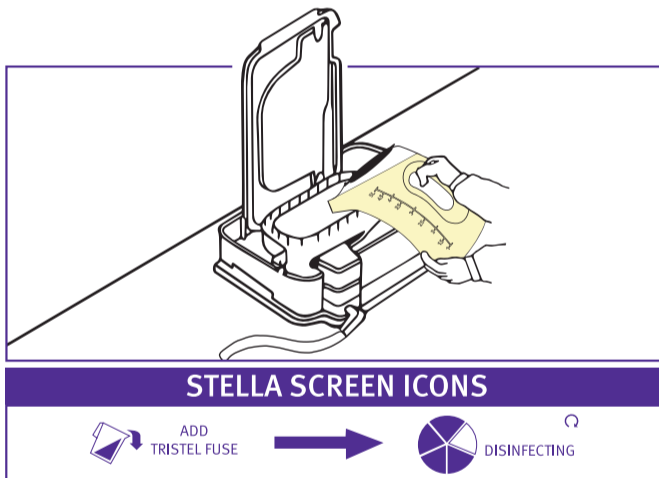
Any cables and parts of the instrument that cannot be submerged, should exit Stella through the designated cut-outs in the side walls of the Base; otherwise leave the rubber grommets in place.



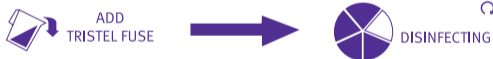
### Step 6

Make up five litres of Tristel Fuse for Stella disinfectant using ambient water. Read the user guide carefully.

**Note:** Do not use hot water.



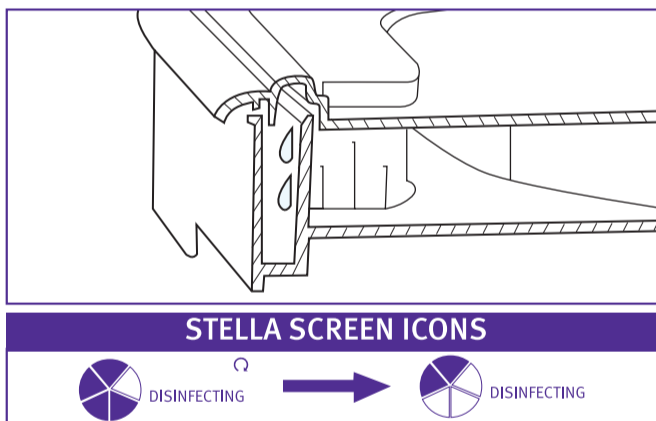
### STELLA SCREEN ICONS



### Step 7

Pour the Tristel Fuse for Stella into the inner instrument compartment until the liquid overflows. Ensure you use all five litres of disinfectant. A beep confirms the start of the five minute cycle.

**Note:** If Tristel Fuse for Stella is not added to Stella within 10 minutes, the cycle will be automatically aborted by Stella IQ.

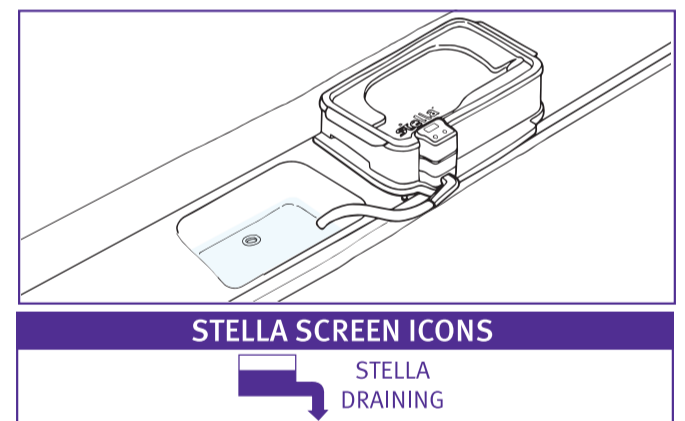


### STELLA SCREEN ICONS



### Step 8

Place the Lid onto the Base. This will force water to flow over the side walls of the instrument compartment and create a complete seal. The Stella IQ displays the disinfecting segment automatically counting down five minutes.

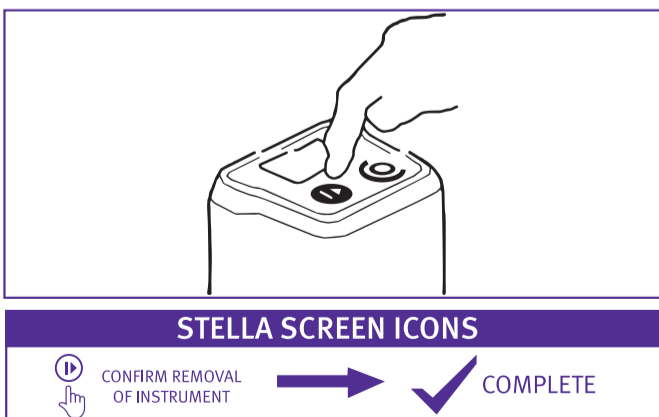


### STELLA SCREEN ICONS



### Step 9

After five minutes Stella drains the disinfectant automatically. When the Stella Base is empty, there is an audible reminder that the cycle is complete.

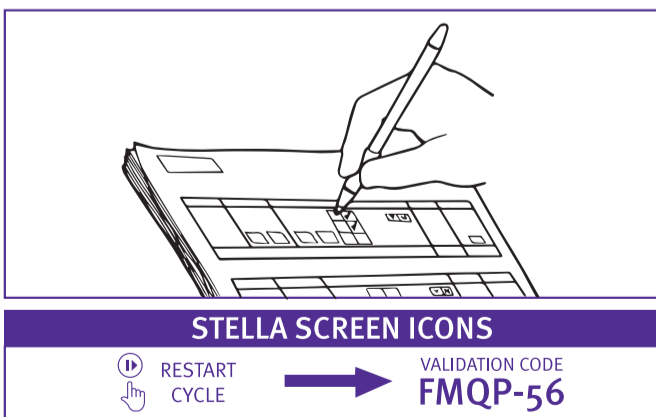


### STELLA SCREEN ICONS



### Step 10

Press the OK button to confirm removal of the instrument and to acknowledge that the cycle is complete.



### STELLA SCREEN ICONS



### Step 11

Record the validation code in the Patient's Notes or the Stella Quality Audit Trail Record Book. Stella IQ will store all information ready for download to your computer. A new cycle can immediately be started by pressing the OK button again. To turn off, press the OFF button on Stella IQ.