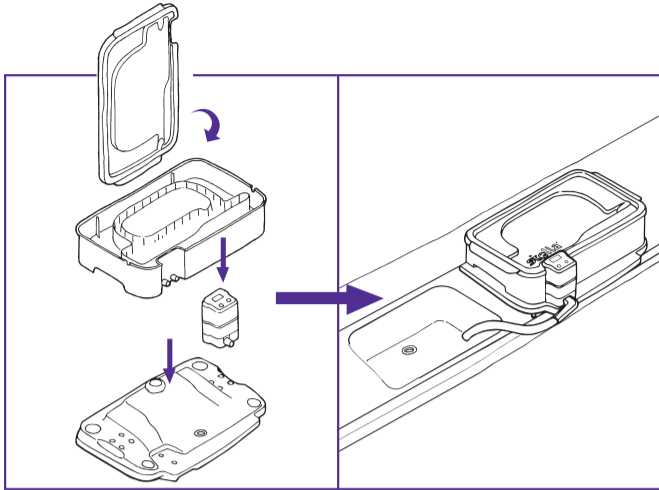
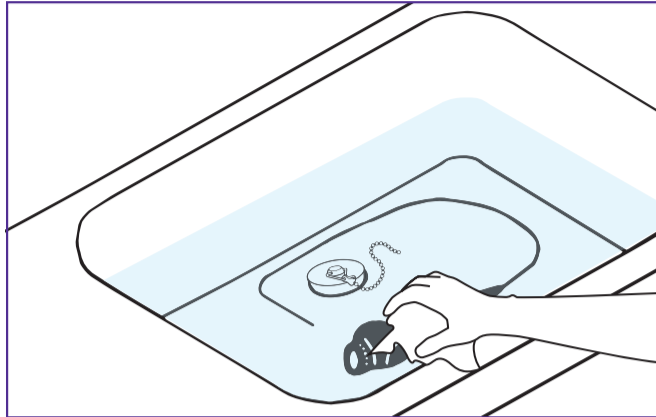


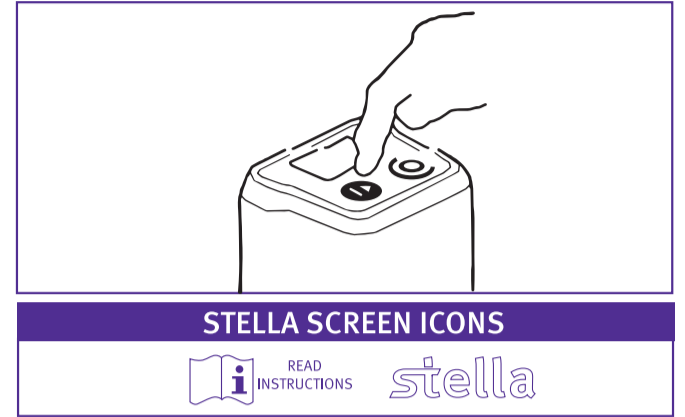
High-level disinfection with Tristel Fuse for Stella



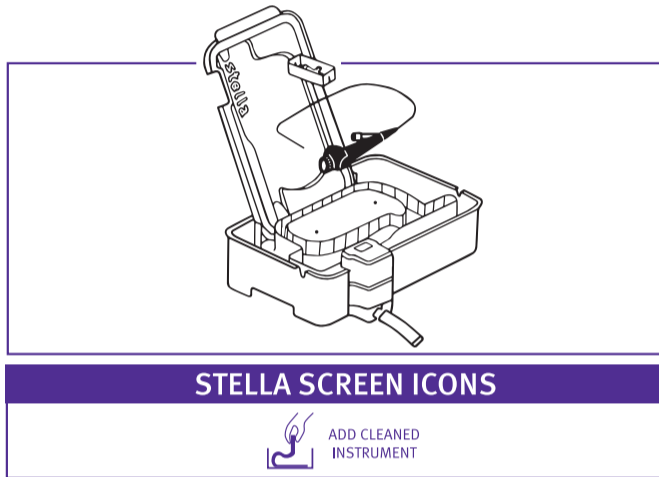
Step 1
Assemble Stella on a level surface using Stella cradle, close to a sink.



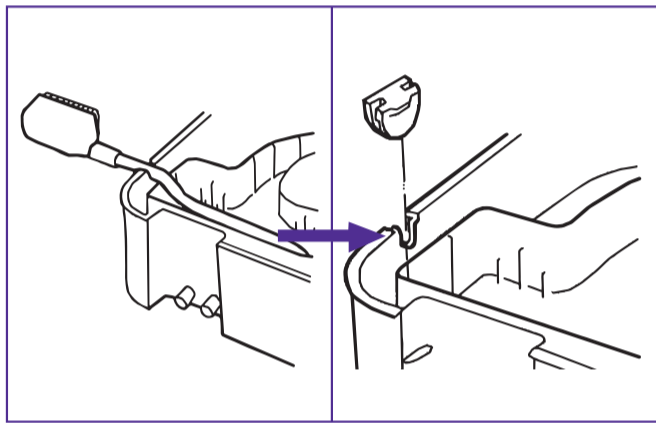
Step 2
Pre-clean instruments and devices thoroughly.



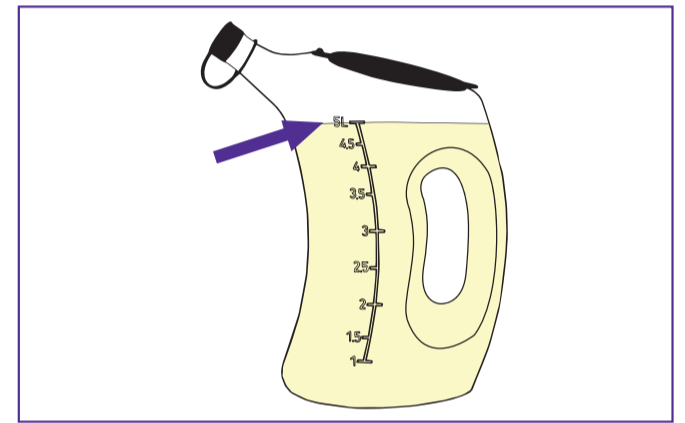
Step 3
Push the 'ON' button on the Stella IQ, until you hear a sound. Follow the instructions on the Stella IQ.



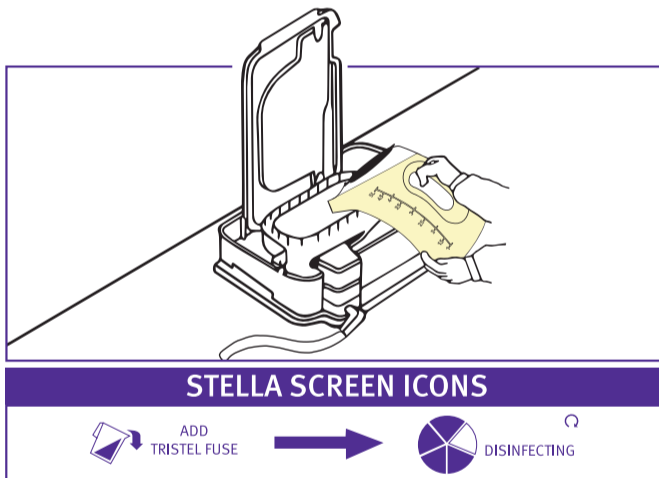
Step 4
Add the pre-cleaned instrument and small parts tray into the inner instrument compartment of the Base.



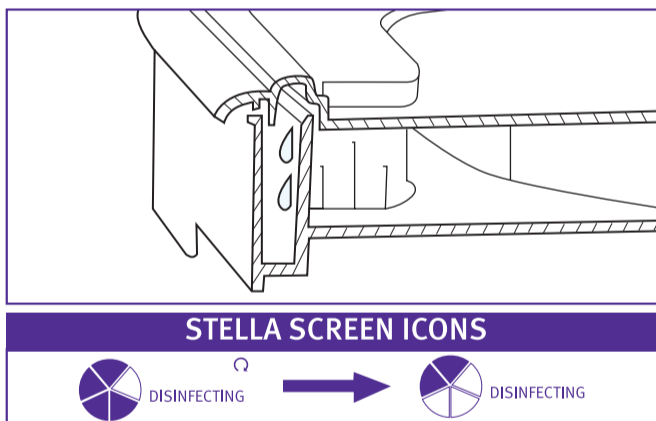
Step 5
Any cables and parts of the instrument that cannot be submerged, should exit Stella through the designated cut-outs in the side walls of the Base; otherwise leave the rubber grommets in place.



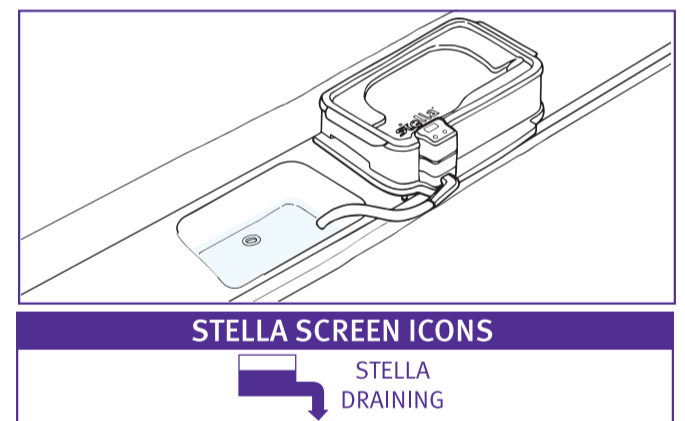
Step 6
Make up five litres of Tristel Fuse for Stella disinfectant using ambient water. Read the user guide carefully.
Note: Do not use hot water.



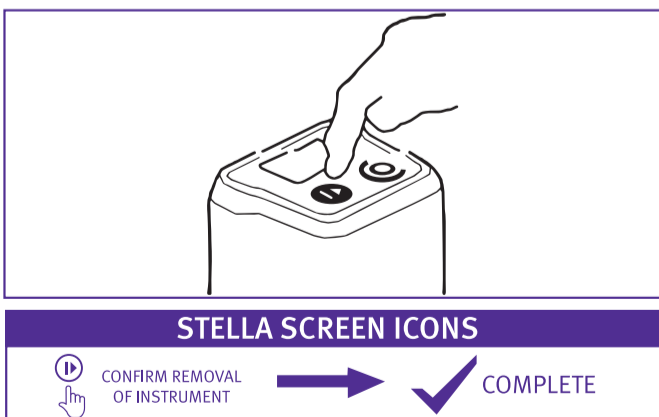
Step 7
Pour the Tristel Fuse for Stella into the inner instrument compartment until the liquid overflows. Ensure you use all five litres of disinfectant. A beep confirms the start of the five minute cycle.
Note: If Tristel Fuse for Stella is not added to Stella within 10 minutes, the cycle will be automatically aborted by Stella IQ.



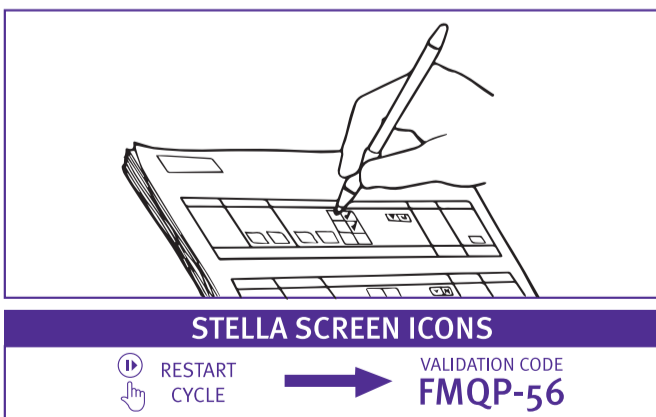
Step 8
Place the Lid onto the Base. This will force water to flow over the side walls of the instrument compartment and create a complete seal. The Stella IQ displays the disinfecting segment automatically counting down five minutes.



Step 9
After five minutes Stella drains the disinfectant automatically. When the Stella Base is empty, there is an audible reminder that the cycle is complete.



Step 10
Press the OK button to confirm removal of the instrument and to acknowledge that the cycle is complete.



Step 11
Record the validation code in the Patient's Notes or the Stella Quality Audit Trail Record Book. Stella IQ will store all information ready for download to your computer. A new cycle can immediately be started by pressing the OK button again. To turn off, press the OFF button on Stella IQ.