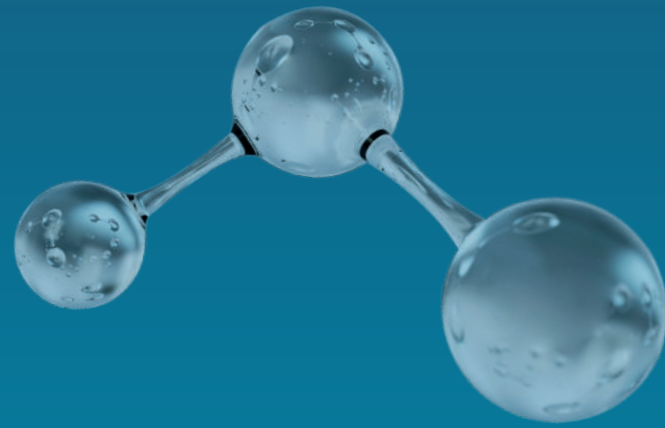


We Have Chemistry

Rinse Assure doses low concentrations of Tristel's proprietary chlorine dioxide (ClO₂) chemistry into the incoming water supply used during an endoscope washer-disinfector (EWD)'s decontamination cycle.*

Tristel's ClO₂ is compatible with all materials used within EWDs at the concentration dosed by Rinse Assure. It does not damage endoscopes and does not affect the chemical composition or efficacy of detergents, including enzymatic, and disinfectants, including peracetic acid, commonly used in EWDs.

*Dosage levels are adjusted based on the amount of water flowing through the system to ensure bacteria-free water



Proven Effective

Nelson Labs is a leading United States laboratory used by medical device companies, including EWD companies, for disinfectant testing. The effectiveness of Rinse Assure was evaluated by Nelson Labs under Good Laboratory Practice (GLP).

Rinse Assure was challenged with a high bioburden (>10⁸ CFUs/mL) of *Mycobacterium terrae* and *Pseudomonas aeruginosa*. Organisms were injected directly into the tank of Rinse Assure, representing a worst-case contamination scenario. The Rinse Assure cycle was run, and a >6 log₁₀ reduction of both *M. terrae* and *P. aeruginosa* was achieved.



For over 30 years, Tristel has been manufacturing infection prevention products.

With Rinse Assure, we have taken our decades of excellence in chemistry and applied it to rinse water filtration to provide water that:

- ✓ Is bacteria free
- ✓ Contains no pathogens of concern
- ✓ Achieves 0 CFU/mL

Tristel™

United Kingdom
Tristel Solutions Ltd,
Unit 1b, Lynx Business Park,
Fordham Road, Snailwell, Cambridgeshire,
CB8 7NY, UK - T +44 (0) 1638 721500
E mail@tristel.com - W www.tristel.com

Australia
Tristel Pty Ltd,
Unit 44, 328 Reserve Road,
Cheltenham, VIC 3192, Australia
T 1300 680 898 - E mail-au@tristel.com
W www.tristel.com/au-en/

New Zealand
23 Birch Avenue,
Judea, Tauranga P.O. Box 3110
T +64 (0) 7 5771560
E mail-nz@tristel.com
W www.tristel.com/nz-en/

Belgium
Tristel SA,
Smallandlaan 14 B, 660 Anvers
T +32 (0)3 889 26 40
E belgium@tristel.com
W www.tristel.com/be-fr/



Scan me for more
on Rinse Assure!

rinseassure™

Tristel Rinse Assure is a Reverse Osmosis (RO) system specifically designed to be connected to an Endoscope Washer Disinfector (EWD). It combines water filtration and chlorine dioxide (ClO₂) dosing to provide bacteria free water.

Future-proof your endoscopy units against failing rinse water tests.

Rinse Assure is a 3-in-1 system that:

- ✓ Filters particles down to 0.2µm through a three-stage filtration process.
- ✓ Treats incoming water through a RO membrane.
- ✓ Doses this water with low levels of Tristel's proprietary chlorine dioxide (ClO₂) chemistry.

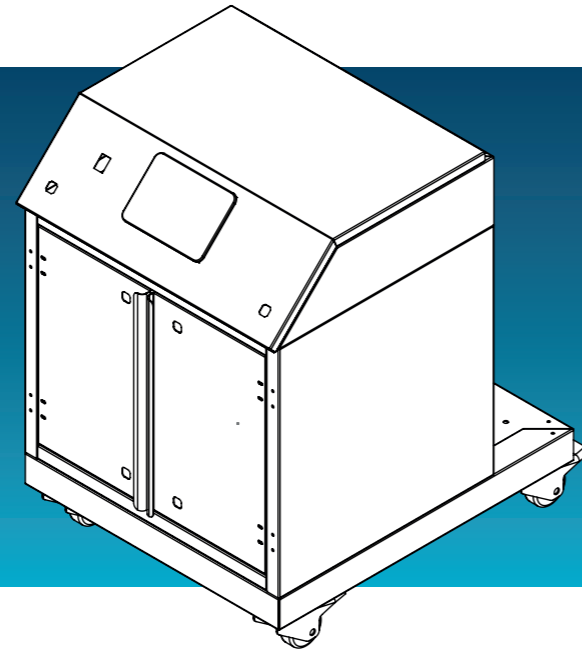


Technical Specifications

Rinse Assure S2

Key Product Features

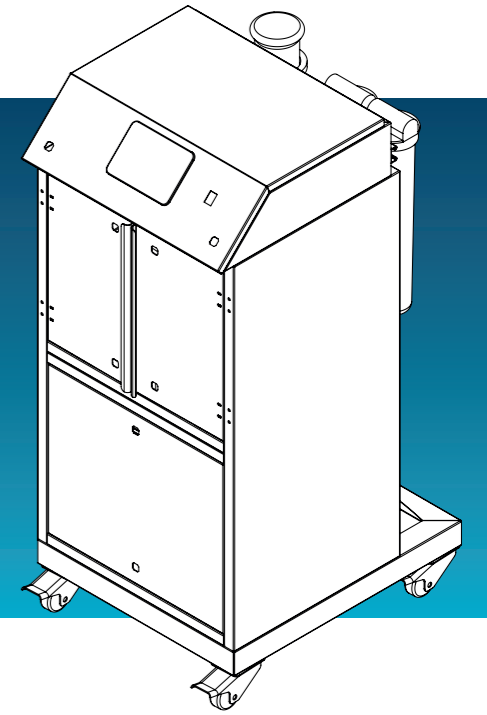
- ✓ Prevents bacterial proliferation in the incoming water
- ✓ Low dosing of chlorine dioxide
- ✓ Compact design
- ✓ Fully controlled with wireless remote monitoring by a qualified engineer



Rinse Assure S3/3+

Key Product Features

- ✓ Prevents bacterial proliferation in the incoming water
- ✓ Full reverse osmosis system, including low dosing of chlorine dioxide
- ✓ Total of 55/85 litres dosed storage capacity
- ✓ Fully controlled with wireless remote monitoring by a qualified engineer



Water System Specifications

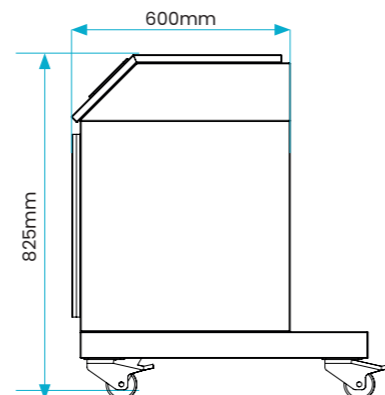
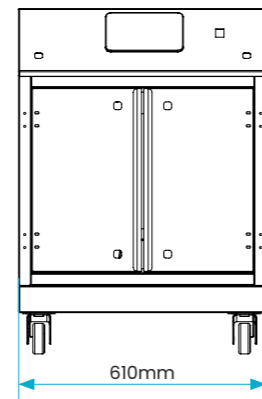
Parameter	RA-S2
Number of pre-filters	1
Number of final filters	1
Max. Filtration	0.2µm
Disinfectant type	ClO ₂
Chemical container size	2 x 5L
Water delivery temperature	Ambient

Feed Water Specifications

Parameter	RA-S2
Min. water inlet temperature (°C)	4
Max. water inlet temperature (°C)	35
Avg. water inlet flowrate	18 - 20L/min
Pressure	2-5 Pa
Drainage handling	5 L/min

Electrical Requirements

Parameter	RA-S2
Voltage (+/- 10%)	230V AC 50Hz
Socket	13A 3-Pin
HMI Screen size	7 inch

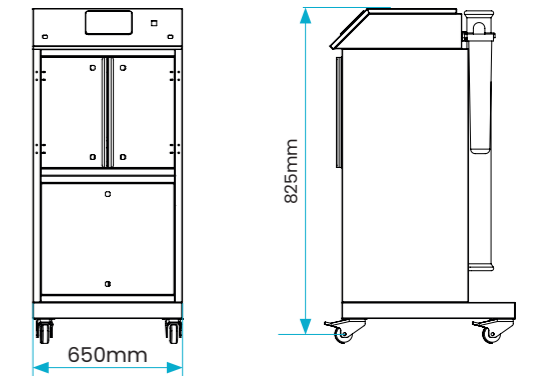


Water System Specifications

Parameter	RA-S3/3+
Number of pre-filters	2
Number of final filters	1
Max. Filtration	0.2µm
Disinfectant type	ClO ₂
Chemical container size	2 x 5L
No. RO membranes	1x S3 2x S3+
Membrane size (length)	4040 (1016mm)
Membrane diameter	99mm
Tank Capacity	55L (Cat. 5) - S3 85L (Cat5) - S3+
Water production max/hour	210 L/hour - S3 420 L/hour - S3+
Water delivery max. flow rate	25 L/min
Water delivery temperature	Ambient
Salt rejection	99%

Electrical Requirements

Parameter	RA-S3/3+
Voltage (+/- 10%)	230V AC 50Hz
Socket	13A 3-Pin
HMI Screen size	7 inch



Feed Water Specifications

Parameter	RA-S3/3+
Min. water inlet temperature (°C)	4
Max. water inlet temperature (°C)	45
Min. water inlet flowrate	10 L/min - S3 15 L/min - S3+
Max. water inlet SDI	25 L/min
Chlorine mg/L	<0.1
Iron/Manganese max. mg/L	<0.1/<0.05
Conductivity	<1000US/cm
Pressure	2-8 Pa
Drainage handling	10 L/min